



Vario Junior Zwilling®

Overall surface: approx. 344 x 260 to 285 mm

Surface to be covered: approx. 260 to 285 mm*

Weight: approx. 4.4 kg per tile

Minimum roof pitch: 10°**

Standard roof pitch: 22°

Requirement: approx. 10 tiles per m²

* Must be checked in accordance with DIN EN 1304 before tiling the roof. Subject to technical change.

** In accordance with the professional rules of ZvDH.



Sophisticated and intricate roof forms can be tiled quickly and safely, particularly when combined with the Vario Junior® as a real "half" tile.

Vario Junior®

Overall surface: approx. 172 x 260 to 285 mm

Surface to be covered: approx. 260 to 285 mm*

Weight: approx. 2,4 kg per tile

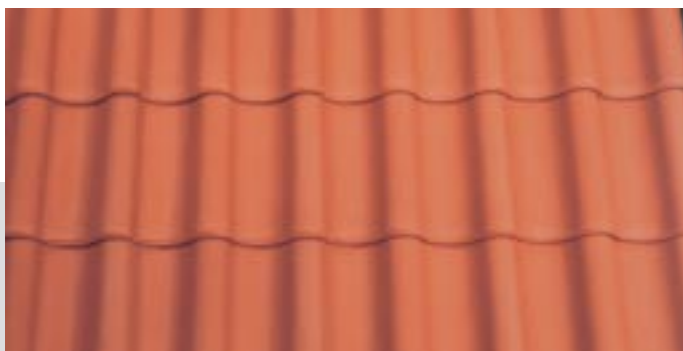
Minimum roof pitch: 10°**

Standard roof pitch: 22°

Requirement: approx. 20 tiles per m²

* Must be checked in accordance with DIN EN 1304 before tiling the roof. Subject to technical change.

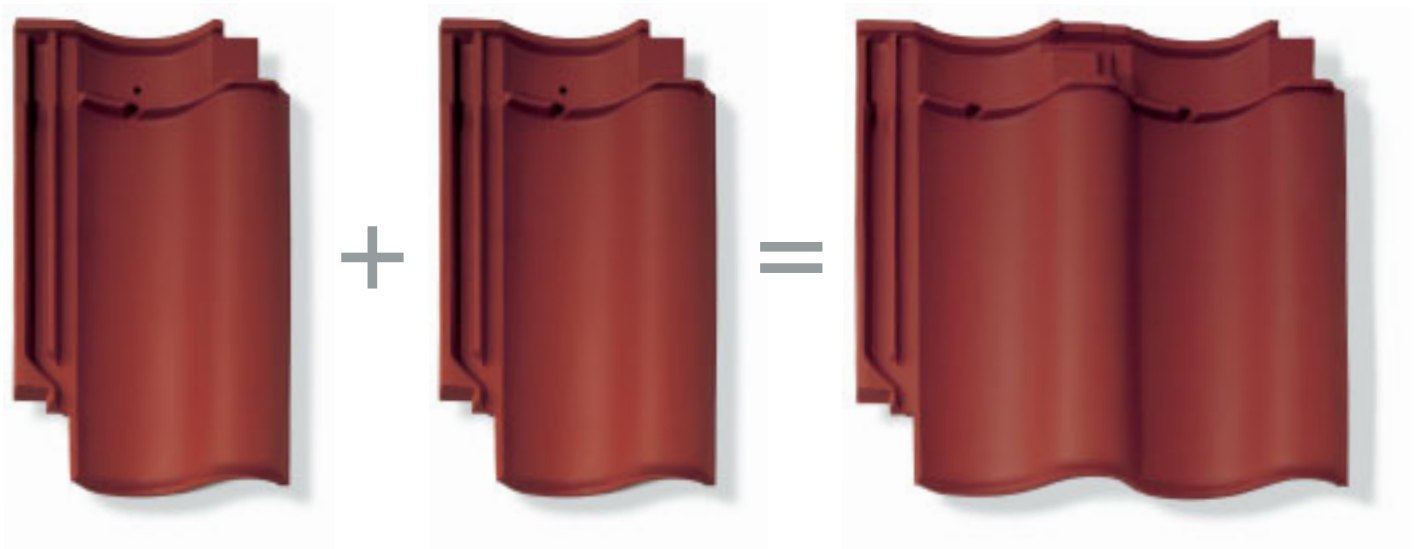
** In accordance with the professional rules of ZvDH.



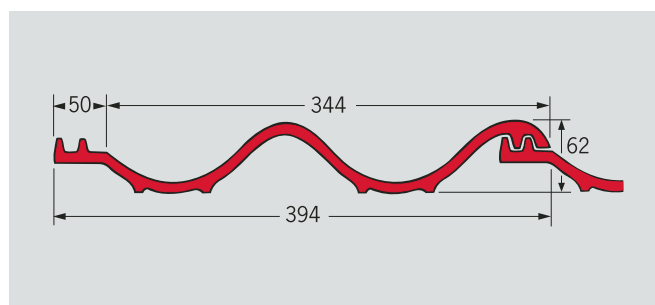
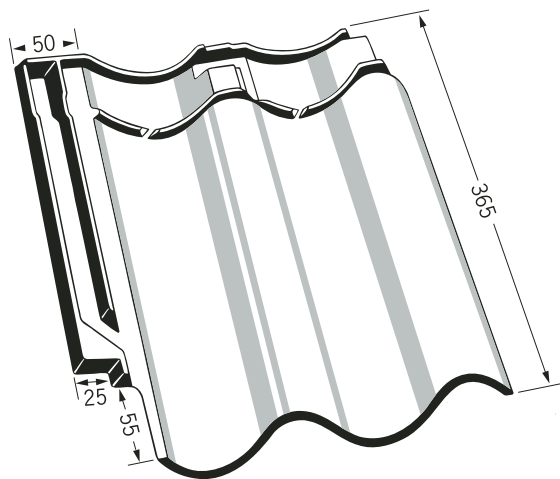
The unique form of the Vario Junior Zwilling® tile yields a perfect combination of economics and aesthetics.



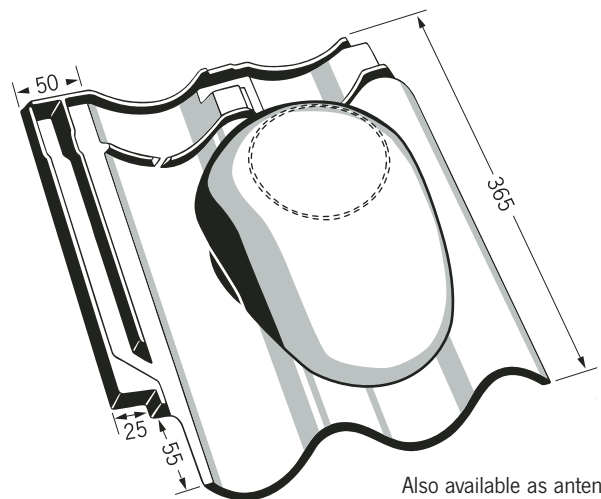
Vario Junior® + Vario Junior® = Vario Junior Zwilling®



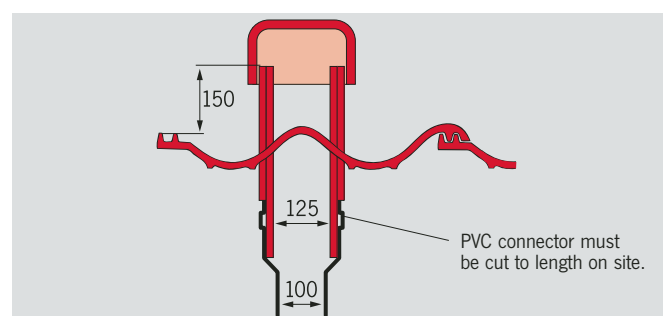
Vario Junior Zwilling®



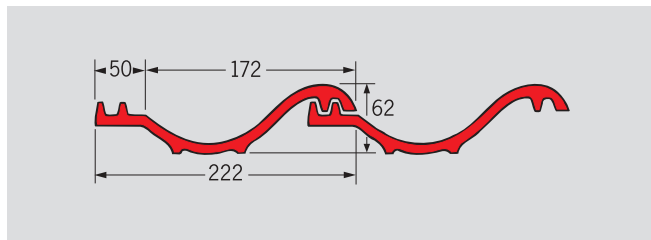
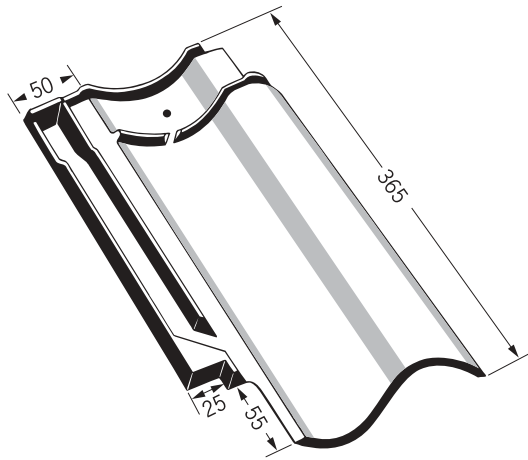
**Vario Junior Zwilling®
Sanitary/vent pipe tile**



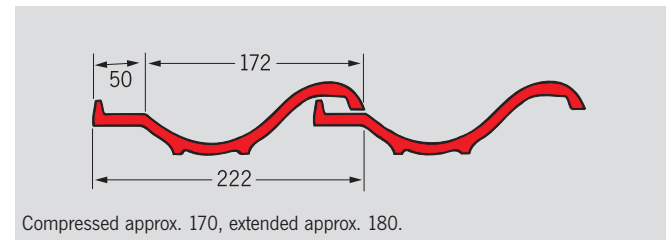
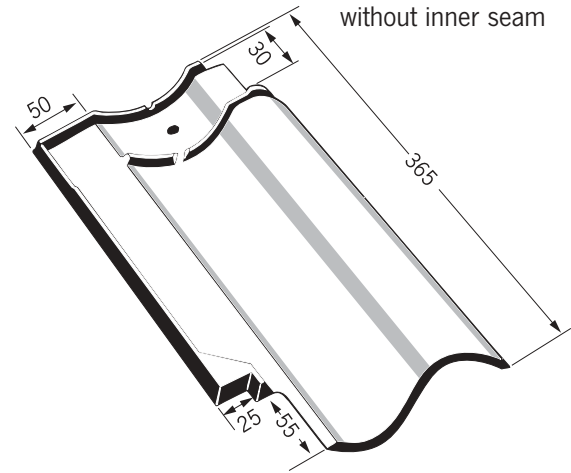
Also available as antenna tile.



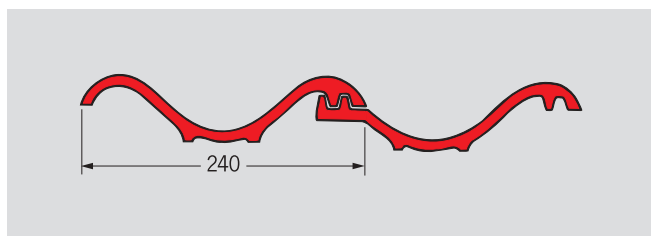
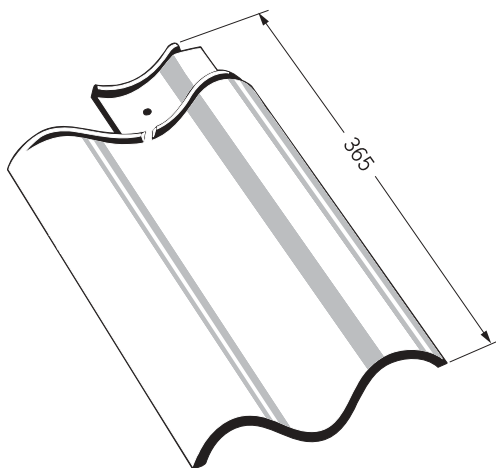
Vario Junior®



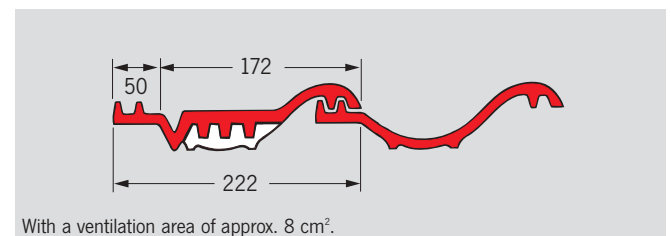
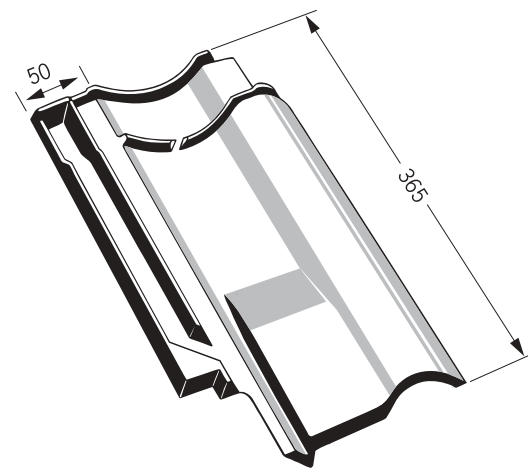
Vario Junior®



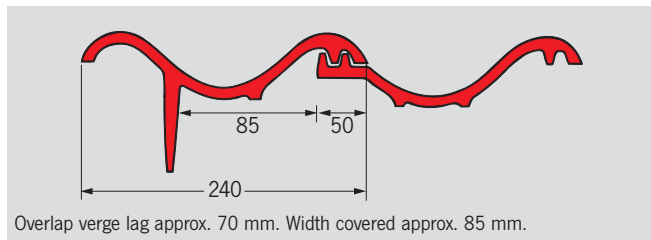
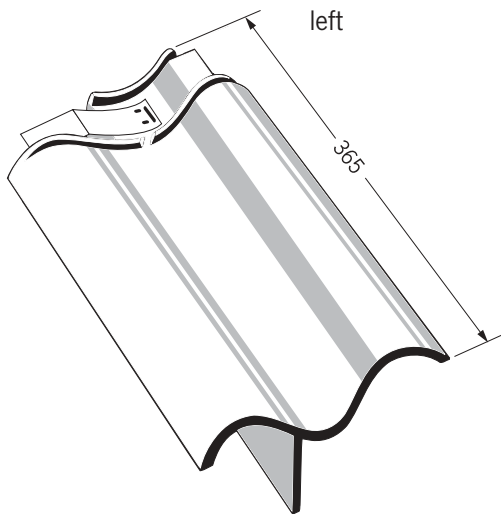
Vario Junior® double bead tile



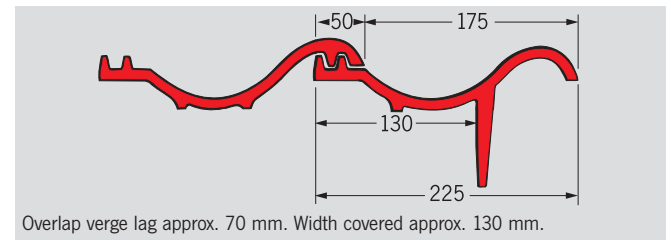
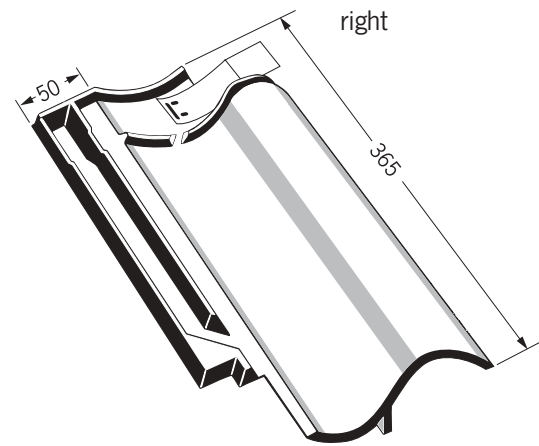
Vario Junior® ventilating tile



Vario Junior® verge tile



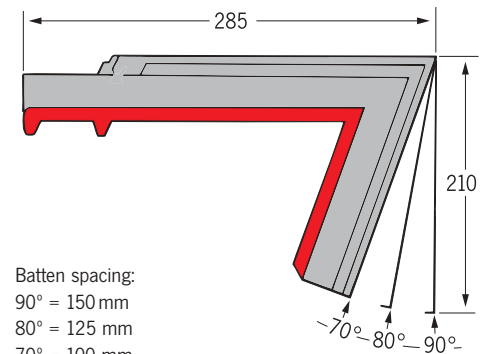
Vario Junior® verge tile



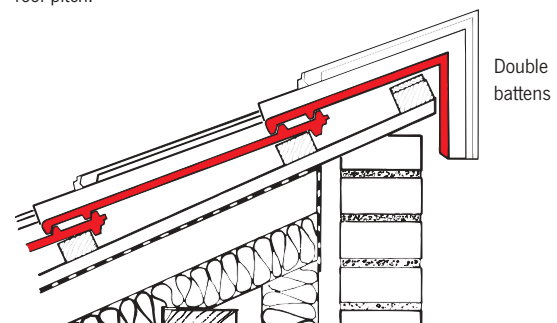
Vario Junior® verge tile Roofing example



Vario Junior® shed roof tile



Batten spacing:
 90° = 150 mm
 80° = 125 mm
 70° = 100 mm
 Please specify
 roof pitch.



Roof pitch $\geq 30^\circ$, contact us.
 Also available as double bead and verge.

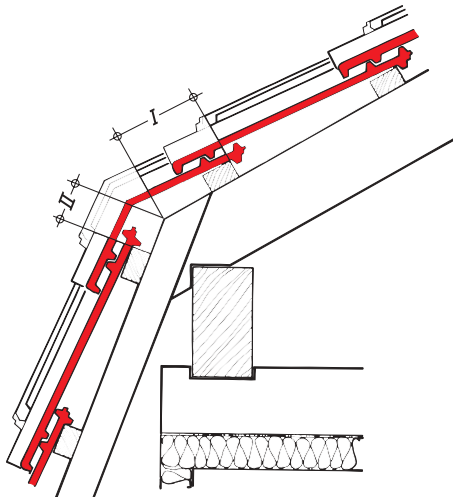
Vario Junior® kinked roofing tile positive

The kinked roofing tile positive can be supplied with angles from 110° to 160°. Different batten spacings are required for the various angles.

Please contact us if other angles are required.

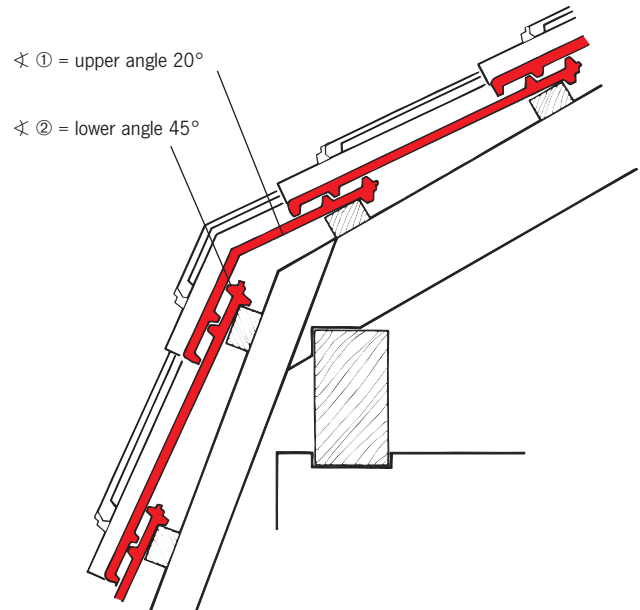
Standard dimensions:

Angle α	Distance I	Distance II
from 136° to 160°	140	45
from 110° to 135°	135	30



Also available as double bead and verge.

Calculations of angles



Calculation: 180°
 - $\alpha \textcircled{2}$ 45°
 + $\alpha \textcircled{1}$ 20°
 Opening angle = 155°

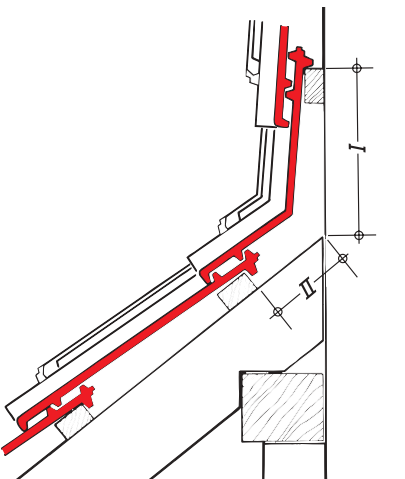
Vario Junior® kinked roofing tile negative

The kinked roofing tile negative can be supplied with angles from 200° to 260°. Different batten spacings are required for the various angles.

Please contact us if other angles are required.

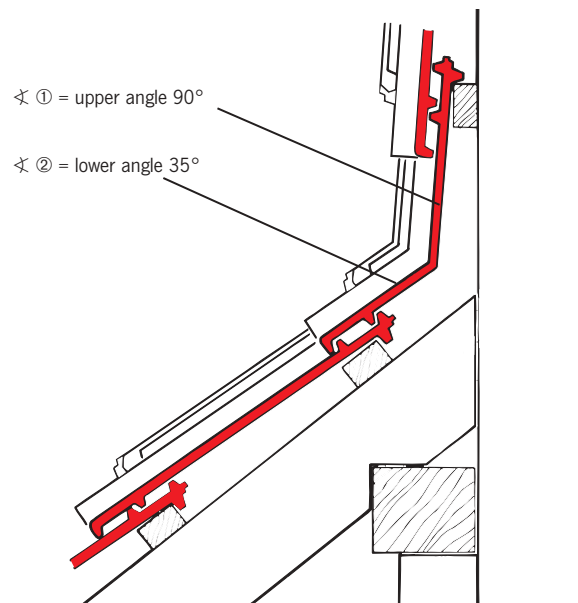
Standard dimensions:

Angle α	Distance I	Distance II
from 200° to 225°	200	80
from 226° to 250°	220	100



Also available as double bead and verge.

Calculations of angles



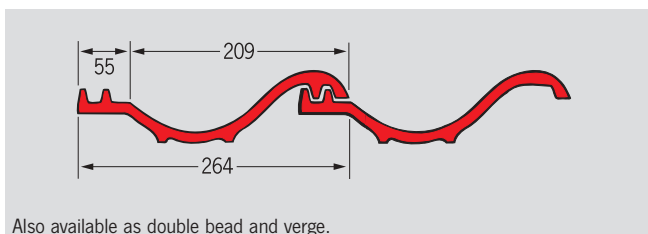
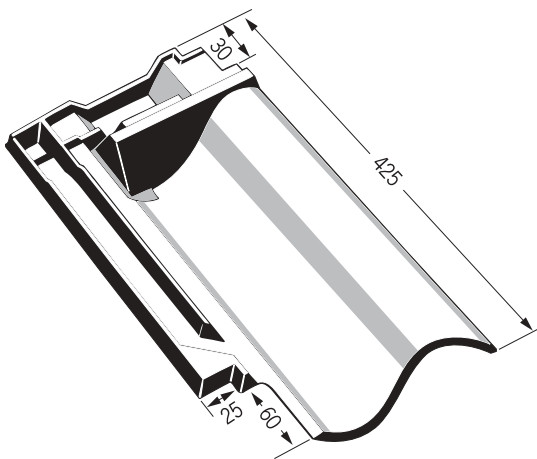
Calculation: 180°
 - $\alpha \textcircled{2}$ 35°
 + $\alpha \textcircled{1}$ 90°
 Opening angle = 235°



Vario® ridge course tile

The all-ceramic ridge connection tile system for the Vario® and Vario Junior Zwilling® from **Meyer-Holsen** is the best way to ventilate the roof correctly. Additional elements are no longer needed on the ridge.

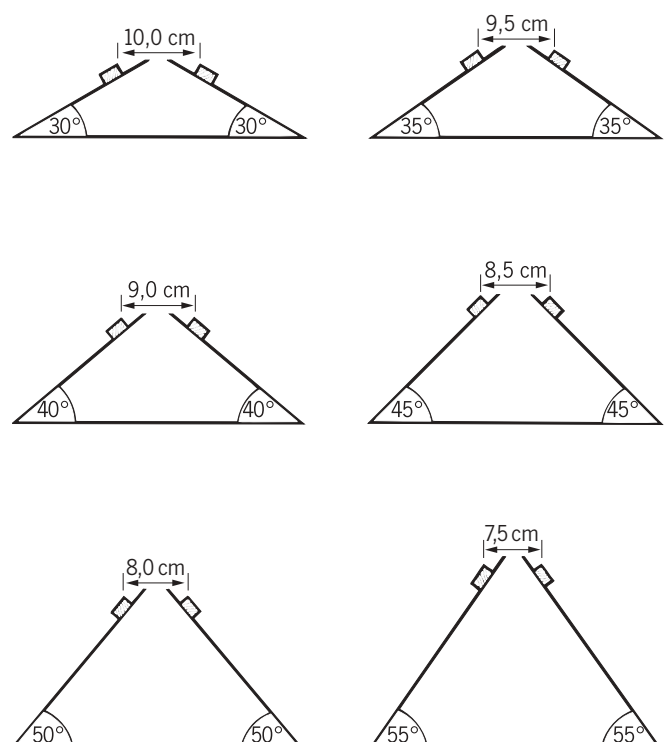
Vario® ridge course tile

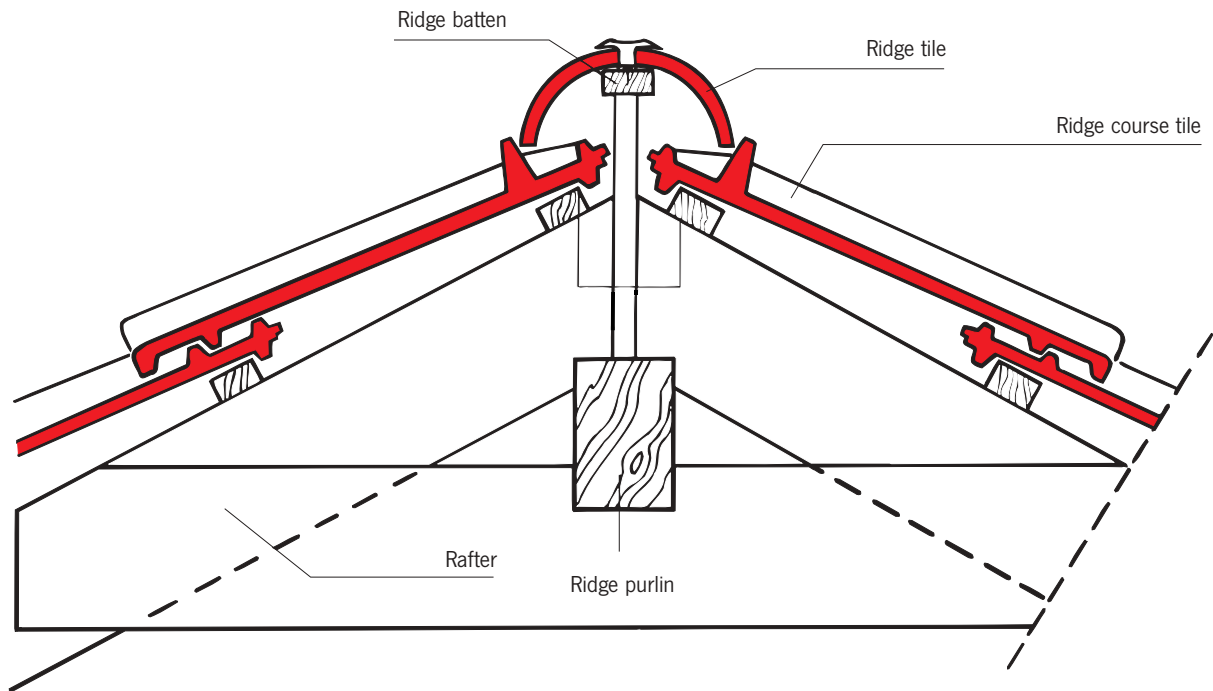


Also available as double bead and verge.

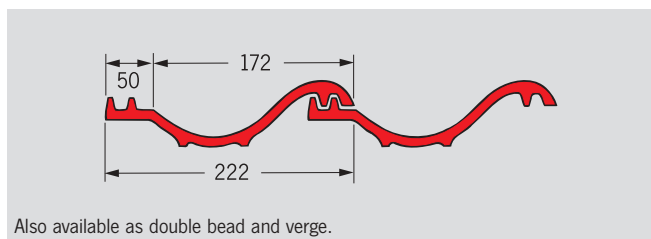
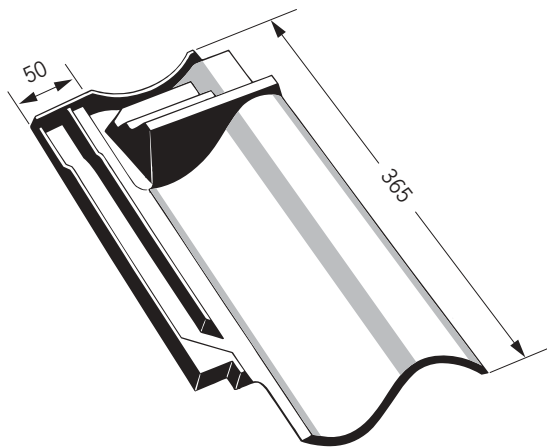
Batten sizes

Vario® ridge course tile



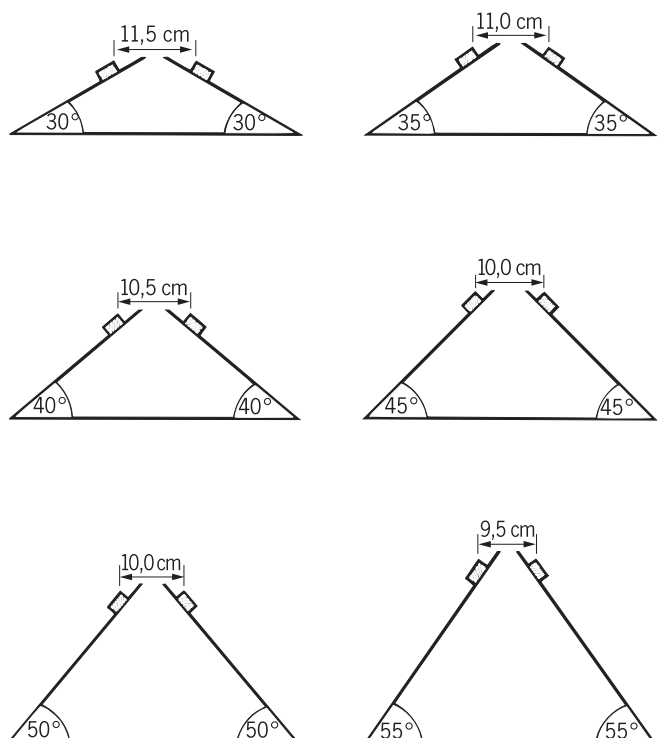


Vario Junior® ridge course tile
for Vario Junior Zwilling®



Also available as double bead and verge.

Batten sizes
Vario Junior Zwilling® ridge course tile



FOS list of batten clips



The clips listed in **bold type** should be given preference, the others are possible alternatives. Minimum batten size to VOB 2000 is 30 x 50 mm. Contact our applications technology department for special batten sizes.

The clips must be arranged in accordance with the FOS roofing pattern.

Roof tile/roof slab	Batten 24 x 48 mm	Info	Batten 30 x 50 mm	Info	Batten 40 x 60 mm	Info
Vario® hollow interlocking tile	435073	–	435101	–	435102	–
	409005	–	409005	–	409005	–
	–	–	446004	10.55	446004	10.55
	57001	68	57001	68	570001	68
Vario Junior Zwilling®	409012	–	409012	–	409012	–
	435072	–	435001	–	435002	–
	–	–	499006	–	499006	–
Garant	409001	–	409001	–	409001	–
	435072	–	435001	–	435002	–
	416001	10	416001	10	416002	10
	436106	10	436106	10	436106	10
Dacapo universal roofing tile	409001	–	409001	–	409001	–
	435064	–	435101	–	435104	–
	416001	10	416001	10	416002	10
	436103	10	436103	10	436103	10
	–	–	449003	10.55	449003	10.55
Double interlocking tile	409001	–	409001	–	409001	–
	405074	1.50	435103	1.50	435104	1.5
Ravensberger	417003	–	417003	–	417004	–
	435074	–	435103	–	435104	–
Biber 10-13 mm	415c07	300	415c08	300	409001	300
	415001	10	415001	10	415001	10
	415Z02	5	415Z02	5	415Z02	5
Hollow tile, short section	403b06	80	403b06	80	403b06	80
	403b01	90	403b01	90	403b01	90
	403b03	100	403b03	100	403b03	100
Hollow tile, long section	–	–	428b01	–	428b02	–
	403b05	70	403b05	70	403b05	70
	403b06	80	403b03	80	403b06	80

Info:

- 1** Side and height clearance are reduced, the top joint is raised slightly
- 5** Assembly aid
- 10** Does not comply with the rules of the German Roofing Trade (DE), is used in practice as an appropriate additional measure
- 50** No roofing pattern available at present (DE)
- 55** Head clip for banisters
- 68** Painted coloured accessory for right and left-hand ridge connection verge tile, only available from the tile manufacturer
- 70** for 70 mm coverage
- 80** for 88 mm coverage
- 90** for 90 mm coverage
- 100** for 100 mm coverage
- 300**
 - **Double roofing:** If the tables of the professional rules pursuant to ZVDH (09/97) state that clips should be used, we recommend that at least every second plain tile be clipped. In exposed positions, every plain tile should be clipped with 415c® and additionally with the plain tile clip No. 415 c® K.
 - **Crest roofing:** We recommend the use of 415 c® and 415® K in accordance with our roofing specifications.